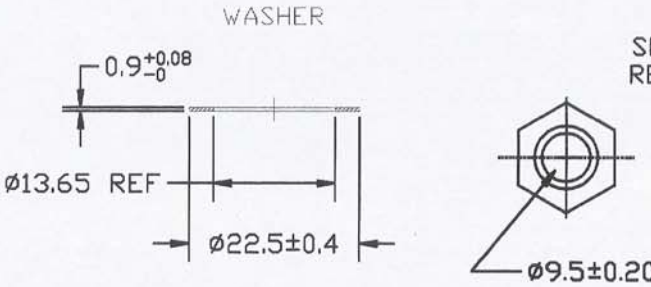
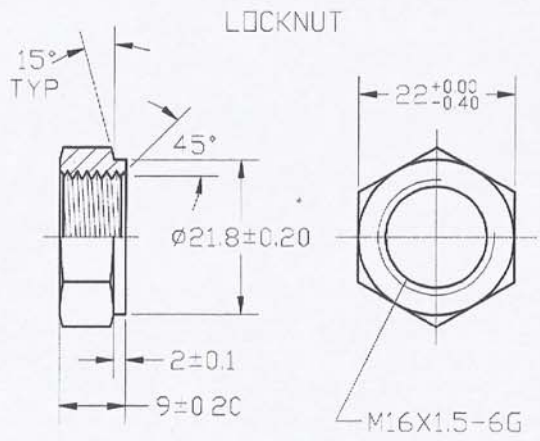
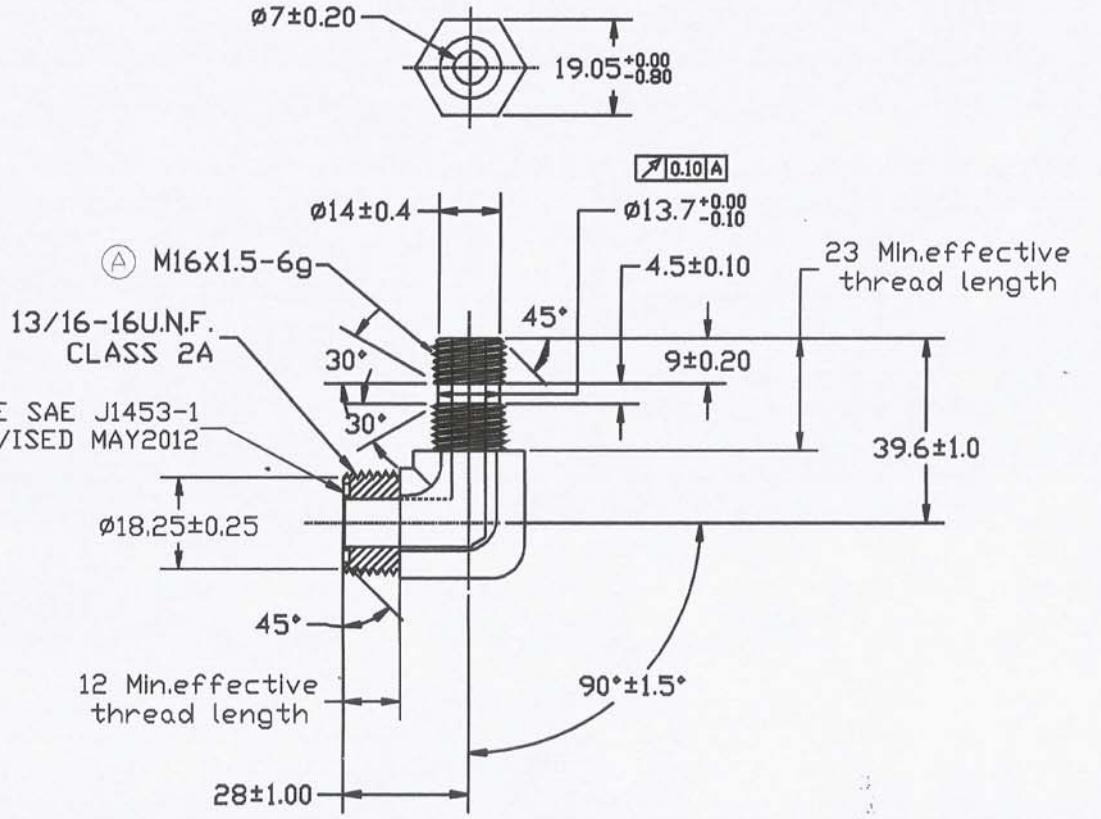


REV 更改号	DATE 日期	REVISION DETAILS 更改内容	APPD 审核并批准
A	Sep.10.2021	Production issue	



UNLESS SPECIFIED
ALL DIMENSIONS ARE IN mm,
ROUGHNESS ON
HEXAGON SURFACE
INNER SURFACE OF THE BORE
BETWEEN Ra6.2 um AND Ra12.5um,
OTHER MACHINED SURFACE Ra3.2um,
ANGLES TOLERANCE ±5°,
DIMENSIONS TOLERANCE ±0.25mm,
REMOVE ALL BURRS,SLIVERS AND SWARF,
BREAK ALL SHARP EDGES R<0.5mm.

其它事项,
图示尺寸单位为mm,
六角面粗糙度 $\sqrt{0.10}$,
内孔表面粗糙度 Ra6.2-Ra12.5,
其它未注机加工表面粗糙度 Ra=3.2um,
未注角度公差 ±5°,
未注尺寸公差 ±0.25mm
去除所有毛刺及金属切屑,
锐边倒钝R<0.5mm.



THIRD ANGLE PROJECTION

Zhejiang Gaocheng Autoparts Co.,Ltd	
PART No 零件名	6801-8FS-M16NWO
SCALE:	APPD: 批准
NTS	DATE: 日期
	DRN: Sun Jianghuan 制图 21.09.10
	CHK: Li Junbiao 审核 21.09.10

MATERIAL	Chinese steel 45	材料 45号钢
FINISH	ZINC PLATING WITH 8um MICRONS MINIMUM PLATING THICKNESS AND TRIVALENT CHROMATE PASSIVATION AND WITHSTAND 96 HRS TO WHITE / 144 HRS TO RED RUST IN SALT SPRAY TEST.	镀锌, 三价铬钝化, 银白色, 盐雾试验96小时无白斑, 144小时无红锈, 镀锌层厚度大于8um.